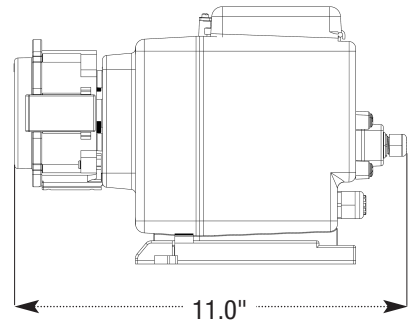
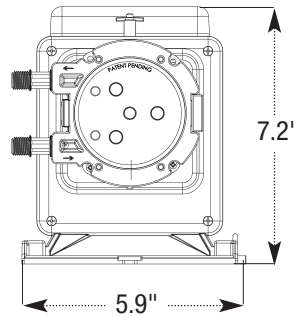


# S SERIES SPECIFICATIONS

STENNER PUMPS®



SHIPPING WEIGHT 9 lbs (3.7 kg)



THIS PUMP IS TESTED AND CERTIFIED BY IAPMO ACCORDING TO ANSI/NSF 61 FOR CONTACT WITH SODIUM HYPOCHLORITE AND WATER ONLY AND NSF/ANSI 372.

## FEATURES

- Digital keypad with OLED display
- Tube leak detector
- Tube change timer
- Password protection
- Multiple operational modes
- Various performance indicators
- Tube replacement without tools with patent pending QuickPro® pump head
- Totally enclosed housing, outdoor rated NEMA 4X
- Brushless DC motor with ball bearing support
- Switch mode power supply
- 3-point roller design assists in anti-siphon protection
- Self-priming against maximum working pressure, foot valve not required
- Pump does not lose prime or vapor lock
- Pumps off-gassing solutions and can run dry
- Output volume is not affected by back pressure
- Models (Santoprene® only) tested by IAPMO to conform to ANSI/NSF STD 61 & 372

# S SERIES SPECIFICATIONS

**STENNER PUMPS®**

## FLOW RATE OUTPUT CONTROL

Varies per control mode; digital keypad

## REPRODUCIBILITY ±2%

## MAXIMUM WORKING PRESSURE

25 psi (1.7 bar), 100 psi (6.9 bar)

## MAXIMUM OPERATING TEMPERATURE

104°F (40°C)

## MAXIMUM SUCTION LIFT

25 ft (7.6 m) vertical lift, based on water

## MOTOR TYPE

Brushless DC motor

## DUTY CYCLE

Continuous

## MOTOR VOLTAGE (Amp Draw)

120V 60Hz 1PH (0.6), 230V 50Hz 1PH (0.3)

## POWER CORD TYPE

120V 60Hz: SJTOWA, 230V 50Hz: H05RN-F

## POWER CORD PLUG END

120V 60Hz 5-15P, 230V 50Hz CEE7/7

## HALL EFFECT MAX. INPUT FREQUENCY

100 KHz

## SHAFT RPM (average maximum) 45

## MAXIMUM ALTITUDE 6562 ft. (2000 m)

## MAXIMUM VISCOSITY 1500 Centipoise

## PULSE DURATION REQUIRED

10 milliseconds

Minimum duration required for pump to read signal.

## MATERIALS OF CONSTRUCTION

**All Housings** Polycarbonate

## Pump Tube

Santoprene\*\*, FDA approved or Versilon\*\*\*

## Check Valve Duckbill

Santoprene\*\*, FDA approved or Pellethane\*\*

## Pump Head Rollers

Polyethylene

## Roller Bushings

Oil impregnated bronze

## Suction/Discharge Tubing, Ferrules

Polyethylene, FDA approved

## Tube and Injection Fittings

PVC or Polypropylene, NSF listed,

with Ceramic Weight

## Connecting Nuts

PVC, NSF listed

## 3/8" Adapter

PVC or Polypropylene, NSF listed

## Suction Line Strainer and Cap

PVC or Polypropylene, NSF listed, with

Ceramic Weight

## All Fasteners

Stainless steel

## Pump Head Latches

Polypropylene

## Leak Detect Clips, Springs, Pins

Hastelloy\*\*††

## ACCESSORY KIT SHIPPED WITH EACH PUMP

**3** Connecting nuts 1/4" or 3/8"

**3** Ferrules 1/4" or 6 mm *Europe*

**1** Injection check valve 100 psi (6.9 bar) max.

OR 1 injection fitting 25 psi (1.7 bar) max.

**1** Weighted suction line strainer

1/4", 3/8" or 6 mm *Europe*

**1** 20' roll suction/discharge tubing

1/4" or 3/8", white or UV black

OR 6 mm white *Europe*

**1** Additional pump tube

**2** Additional latches

**1** Mounting bracket

**1** Quick Start Guide

\* Santoprene® is a registered trademark of Exxon Mobil Corporation.

\*\* Versilon® is a registered trademark of Saint-Gobain Performance Plastics.

† Pellethane® is a registered trademark of Lubrizol Advanced Materials, Inc.

†† Hastelloy® is a registered trademark of Haynes International, Inc.

## FLOW RATE OUTPUT CHART

### 25 psi (1.7 bar) maximum

Model	Item Number Prefix	Pump Tube	Turndown Ratio	Gallons per Day	Gallons per Day	Ounces per Hour	Ounces per Minute	Liters per Day	Liters per Hour	Milliliters per Hour	Milliliters per Minute
S3003	<b>S3003</b>	3	100:1	0.40 to 40	0.017 to 1.67	2.13 to 213	0.036 to 3.56	1.51 to 151	0.063 to 6.31	63.09 to 6309	1.05 to 105
S3004	<b>S3004</b>	4	100:1	0.60 to 60	0.025 to 2.50	3.20 to 320	0.053 to 5.33	2.27 to 227	0.095 to 9.46	94.64 to 9464	1.58 to 158
S3005	<b>S3005</b>	5	100:1	0.85 to 85	0.035 to 3.54	4.53 to 453	0.076 to 7.56	3.22 to 322	0.134 to 13.41	134.07 to 13407	2.23 to 223

Approximate Outputs @ 50/60Hz

### 100 psi (6.9 bar) maximum

Model	Item Number Prefix	Pump Tube	Turndown Ratio	Gallons per Day	Gallons per Day	Ounces per Hour	Ounces per Minute	Liters per Day	Liters per Hour	Milliliters per Hour	Milliliters per Minute
S3001	<b>S3001</b>	1	100:1	0.05 to 5	0.002 to 0.21	0.27 to 27	0.004 to 0.44	0.19 to 19	0.008 to 0.79	7.89 to 789	0.13 to 13
S3002	<b>S3002</b>	2	100:1	0.17 to 17	0.007 to 0.71	0.91 to 91	0.015 to 1.51	0.64 to 64	0.027 to 2.68	26.81 to 2681	0.45 to 45
S3007	<b>S3007</b>	7	100:1	0.40 to 40	0.017 to 1.67	2.13 to 213	0.036 to 3.56	1.51 to 151	0.063 to 6.31	63.09 to 6309	1.05 to 105

Approximate Outputs @ 50/60Hz

NOTE: Injection check valve included with pumps rated 100 psi (6.9 bar) maximum.

**!** **NOTICE:** The information within this chart is solely intended for use as a guide. The output data is an approximation based on pumping water under a controlled testing environment. Many variables can affect the output of the pump. Stenner Pump Company recommends that all metering pumps undergo field calibration by means of analytical testing to confirm their outputs. The information contained in this flyer is not intended for specific application purposes. Stenner Pump Company reserves the right to make changes to prices, products, and specifications at any time without prior notice.