

S SERIES SPECIFICATIONS

STENNER PUMPS®

S30 Models

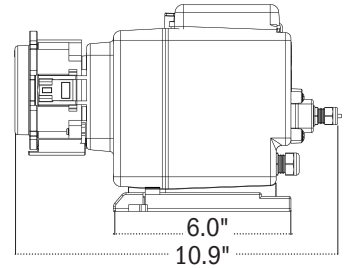
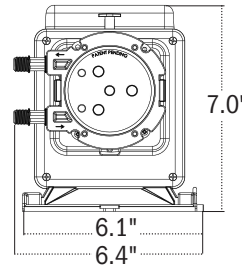


THIS PUMP IS TESTED AND CERTIFIED BY IAPMO ACCORDING TO ANSI/NSF 61 FOR CONTACT WITH SODIUM HYPOCHLORITE AND WATER ONLY AND NSF/ANSI 372.



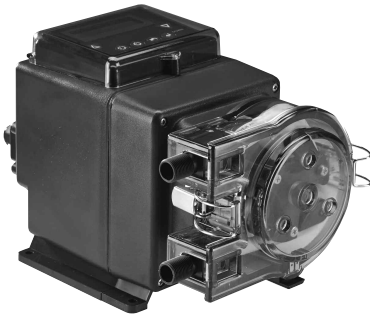
Intertek
94247

CONFORMS TO
ANSI/NSF STD. 50
Equipment for swimming pools,
spas, hot tubs and other
recreational water facilities.



SHIPPING WEIGHT 9 lbs (3.7 kg)

S40 Models

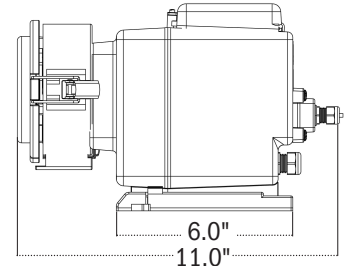
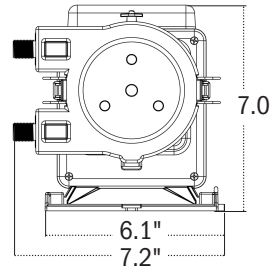


THIS PUMP IS TESTED AND CERTIFIED BY IAPMO ACCORDING TO ANSI/NSF 61 FOR CONTACT WITH SODIUM HYPOCHLORITE AND WATER ONLY AND NSF/ANSI 372.



Intertek
94247

CONFORMS TO
ANSI/NSF STD. 50
Equipment for swimming pools,
spas, hot tubs and other
recreational water facilities.



SHIPPING WEIGHT 9 lbs (3.7 kg)

FEATURES

- Digital keypad with OLED display
- Tube leak detector, Tube change timer, Password protection
- Multiple operational modes
- Totally enclosed housing, NEMA 4X
- Modbus RTU over RS-485 capable
- Brushless DC motor with ball bearing support
- Switch mode power supply
- 3-point roller design assists in anti-siphon protection
- Self-priming against maximum working pressure, foot valve not required
- Pump does not lose prime or vapor lock
- Pumps off-gassing solutions and can run dry
- Output volume is not affected by back pressure
- Tube replacement without tools
- IAPMO Listed, conforms to standard NSF/ANSI 61 & 372 (excludes any model with a Versilon® tube)
- INTERTEK/ETL Sanitation Listed, conforms to standard NSF/ANSI 50 (excludes any model with a 7X tube or a ball check valve with stainless steel spring)
- INTERTEK/ETL Sanitation Listed, conforms to standard CE IP65

SPECIFICATION

- Flow Rate Output Control** Varies per control mode; digital keypad
- Reproducibility** ±2%
- Maximum Working Pressure** 25 psi (1.7 bar), 100 psi (6.9 bar)
- Maximum Operating Temperature** 104°F (40°C)
- Maximum Altitude** 6562 ft. (2000 m)
- Maximum Suction Lift** 25 ft. (7.6 m) vertical lift, based on water
- Motor Type** Brushless DC motor
- Shaft rpm** (average maximum) 45
- Duty Cycle** Continuous
- Maximum Viscosity** 1500 Centipoise
- Motor Voltage (Amp Draw)**
120V 60Hz 1PH (0.6), 230V 50Hz 1PH (0.3)
- Hall Effect Max. Input Frequency** 100 KHz
- Pulse Duration Required** 10 milliseconds
Minimum duration required for pump to read signal.
- Power Cord Type** 120V 60Hz SJTOWA, 230V 50Hz H05RN-F
- Power Cord Plug End** 120V 60Hz 5-15P, 230V 50Hz CEE7/7
- Power Cord Length** 6 ft (1.8 m)
- Classification** Indoor/Outdoor

S SERIES SPECIFICATIONS

S SERIES S30 Models

MATERIALS OF CONSTRUCTION

All Housings Polycarbonate

Pump Tube

Santoprene® (FDA approved), or Versilon®

Check Valve Duckbill

Santoprene® (FDA approved), or Pellethane®

Pump Head Rollers Polyethylene

Roller Bushings Oil impregnated bronze

Suction/Discharge Tubing, Ferrules 1/4" & 6 mm

Polyethylene (FDA approved)

Tube Fittings, Injection Fittings

PVC or Polypropylene (both NSF listed)

Connecting Nuts

PVC or Polypropylene (both NSF listed)

3/8" Adapter

PVC or Polypropylene (both NSF listed)

Suction Line Strainer and Cap

PVC or Polypropylene (both NSF listed); ceramic weight

All Fasteners Stainless steel

Pump Head Latches Polypropylene

Leak Detect Components Hastelloy®

NOTE: Refer to the chemical guide for material compatibility.

ACCESSORIES

3 Connecting Nuts 1/4" or 3/8"

3 Ferrules 1/4" or 6 mm *Europe*

1 Injection fitting 25 psi (1.7 bar) max. or Injection check valve 100 psi (6.9 bar) max.

1 Weighted suction line strainer 1/4", 3/8" or 6 mm *Europe*

1 20' Roll of suction/discharge tubing 1/4" or 3/8", white, UV black or 6 mm white *Europe*

1 Additional pump tube

2 Additional latches

1 Mounting bracket

1 Quick Start Guide

Download complete S Series Manual www.stenner.com

25 psi (1.7 bar) maximum FLOW RATE OUTPUTS

Model	Item Number Prefix	Pump Tube	Turndown Ratio	Gallons per Day	Gallons per Hour	Ounces per Hour	Ounces per Minute	Liters per Day	Liters per Hour	Milliliters per Hour	Milliliters per Minute
S3003	S3003	3	100:1	0.40-40.0	0.017-1.67	2.13-213.0	0.036-3.56	1.51-151.0	0.063-6.31	63.09-6309.0	1.05-105.0
S3004	S3004	4	100:1	0.60-60.0	0.025-2.50	3.20-320.0	0.053-5.33	2.27-227.0	0.095-9.46	94.64-9464.0	1.58-158.0
S3005	S3005	5	100:1	0.85-85.0	0.035-3.54	4.53-453.0	0.076-7.56	3.22-322.0	0.134-13.41	134.07-13,407.0	2.23-223.0

Approximate Outputs @ 50/60Hz

100 psi (6.9 bar) maximum FLOW RATE OUTPUTS

Model	Item Number Prefix	Pump Tube	Turndown Ratio	Gallons per Day	Gallons per Hour	Ounces per Hour	Ounces per Minute	Liters per Day	Liters per Hour	Milliliters per Hour	Milliliters per Minute
S3001	S3001	1	100:1	0.05-5.0	0.002-0.21	0.27-27.0	0.004-0.44	0.19-19.0	0.008-0.79	7.89-789.0	0.13-13.0
S3002	S3002	2	100:1	0.17-17.0	0.007-0.71	0.91-91.0	0.015-1.51	0.64-64.0	0.027-2.68	26.81-2681.0	0.45-45.0
S3007	S3007	7	100:1	0.40-40.0	0.017-1.67	2.13-213.0	0.036-3.56	1.51-151.0	0.063-6.31	63.09-6309.0	1.05-105.0

Approximate Outputs @ 50/60Hz

S SERIES S40 Models

MATERIALS OF CONSTRUCTION

All Housings Polycarbonate

Pump Tube Santoprene®, FDA approved

Ball Check Valve Components

Ceramic ball (FDA approved); Tantalum spring; FKM seat & O-ring

OR

Ceramic ball (FDA approved); Stainless steel spring; EPDM seat; Santoprene® O-ring

Pump Head Rollers Polyethylene

Roller Bushings Oil impregnated bronze

Suction/Discharge Tubing

Polyethylene (FDA approved)

Tube Fittings, Injection Fittings

PVC or Polypropylene (both NSF listed)

Connecting Nuts

PVC or Polypropylene (both NSF listed)

Suction Line Strainer and Cap

PVC or Polypropylene (both NSF listed); ceramic weight

All Fasteners Stainless steel

Pump Head Latches Stainless steel

Leak Detect Components Hastelloy®

NOTE: Refer to the chemical guide for material compatibility.

ACCESSORIES

3 Connecting nuts 3/8"

1 Injection ball check valve

1 Weighted suction line strainer 3/8"

1 20' Roll of suction/discharge tubing 3/8", white or UV black

1 Additional pump tube

1 Mounting bracket

1 Quick Start Guide

Download complete S Series Manual www.stenner.com

25 psi (1.7 bar) maximum FLOW RATE OUTPUTS

Model	Item Number Prefix	Pump Tube	Turndown Ratio	Gallons per Day	Gallons per Hour	Ounces per Hour	Ounces per Minute	Liters per Day	Liters per Hour	Milliliters per Hour	Milliliters per Minute
S405X	S405X	5X	100:1	1.5-150.0	0.06-6.25	8.0-800.0	0.13-13.33	5.7-567.0	0.24-23.66	236.59-23,659.0	3.94-394.0

Approximate Outputs @ 50/60Hz

100 psi (6.9 bar) maximum FLOW RATE OUTPUTS

Model	Item Number Prefix	Pump Tube	Turndown Ratio	Gallons per Day	Gallons per Hour	Ounces per Hour	Ounces per Minute	Liters per Day	Liters per Hour	Milliliters per Hour	Milliliters per Minute
S407X	S407X	7X	100:1	0.60-60.0	0.03-2.50	3.2-320.0	0.053-5.34	2.3-227.0	0.09-9.46	94.64-9464.0	1.58-158.0

Approximate Outputs @ 50/60Hz

Santoprene® is a registered trademark of Exxon Mobil Corporation. Versilon® is a registered trademark of Saint-Gobain Performance Plastics. Pellethane® is a registered trademark of Lubrizol Advanced Materials, Inc. Hastelloy® is a registered trademark of Haynes International, Inc. .

NOTICE: The information within this chart is solely intended for use as a guide. The output data is an approximation based on pumping water under a controlled testing environment. Many variables can affect the output of the pump. Stenner Pump Company recommends that all metering pumps undergo field calibration by means of analytical testing to confirm their outputs. The information contained in this flyer is not intended for specific application purposes. Stenner Pump Company reserves the right to make changes to prices, products, and specifications at any time without prior notice.